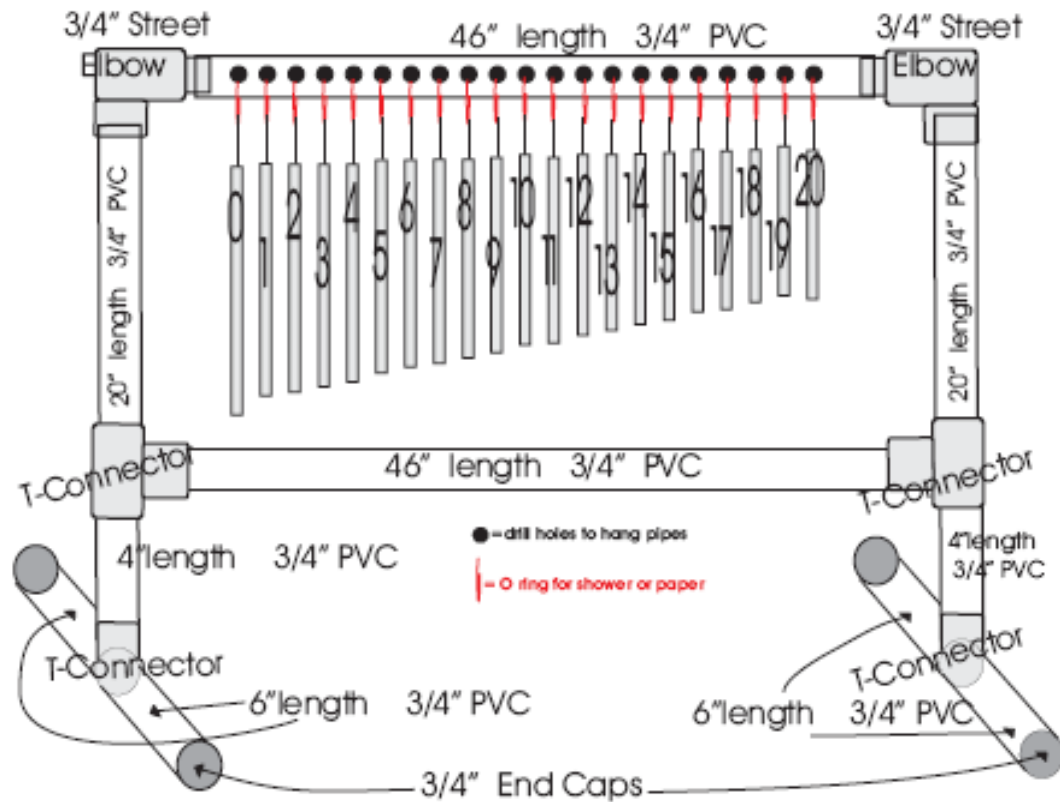


Wind Pipe Chime Stand



Number	Size/Length	Note	Number	Size/Length	Note
0	13 5/8"	A	11	9 7/8"	A flat
1	13 3/8"	B flat	12	9 5/8"	A
2	13"	B	13	9 3/8"	B flat
3	12 5/8"	C	14	9 1/8"	B
4	12 1/4"	C sharp	15	8 7/8"	C
5	11 7/8"	D	16	8 5/8"	C sharp
6	11 1/2"	E flat	17	8 3/8"	D
7	11 1/4"	E	18	8 1/8"	E flat
8	10 7/8"	F	19	7 7/8"	E
9	10 5/8"	F sharp	20	7 5/8"	F
10	10 1/4"	G			

Materials: 1/2" galvanized conduit pipe. (two 10 foot lengths should be enough), 13' PVC pipe – 3/4", 4- 3/4" end caps, 4- T connectors, 2- elbows for PVC frame.

Make frame as design shows above.

Cut Pipe chimes to exact measurements (1/8" measurement will change pitch). Drill hole for string 1 1/2" from the end of the pipe. For best results, drill press works well. Use a spoon to strike the pipes and strike the center of each pipe when playing.